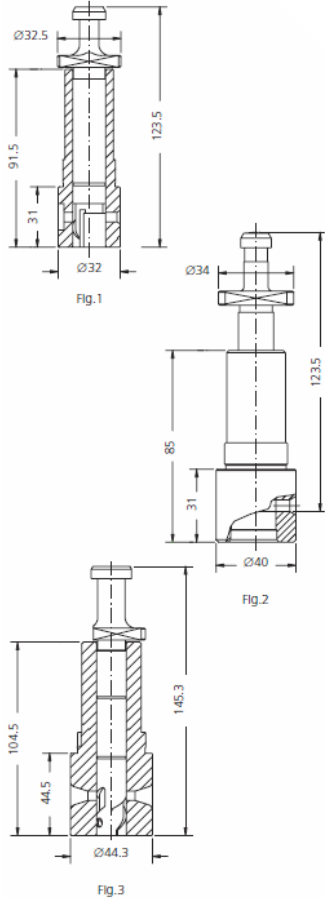




**ALCO**



PUMP ELEMENTS SUITABLE TO:					ALCO		NOTES
DRW.	ENGINE TYPE	SDS TYPE	SDS No.	ORIGINAL REFERENCE	TECHNICAL DATA		
					Ø	HELIX DIRECT.	
1		CAB-P 050	1 14 01 0005	BC 7659-1A	17	LH	
2		CAB-P 075	1 14 01 0022	BC 76339-A	18	LH	
3	251B	CAB-P 111	1 14 01 0015	2321267 BC 76286-2A	15	RH	6 CYL. 1050 HP 16 CYL. 2600 HP
3	251C	CAB-P 112	1 14 01 0020	23212610 BC 76286-3A	16	RH	12 CYL. 2150 HP 16 CYL. 3050 HP
3	251D	CAB-P 118	1 14 01 0025	4321091 BC 76356-A	17	RH	6 CYL. 1350 HP
3	251D OR REVISED PISTON	CAB-P 112	1 14 01 0020	23212610 BC 76286-3A	16	RH	16 CYL. 3300 HP
3	251E	CAB-P 118	1 14 01 0025	4321091 BC 76356-A	17	RH	8 CYL. 1700 HP 12 CYL. 2600 HP
3	251F OR REVISED PISTON	CAB-P 118	1 14 01 0025	4321091	17	RH	16 CYL. 3900 HP

Scandic Diesel Services Inc.  
 6360 Notre Dame East  
 Montreal, Quebec  
 H1N 2E1, Canada

Phone +1 514 228 1299  
 Telefax +1 514 256 8237  
 24 hours +1 514 566 1553  
 Email sales@scandiserv.com

[www.scandiserv.com](http://www.scandiserv.com)

Scandic Diesel Services © 2009 - 2011  
 All rights reserved



Scandic Diesel Services Inc.  
*"It's smooth sailing from here"*

**ALCO**

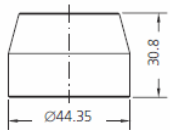


Fig.1

<b>DELIVERY VALVES SUITABLE TO:</b>					<b>ALCO</b>	
<b>DRW.</b>	<b>ENGINE TYPE</b>	<b>SDS TYPE</b>	<b>SDS No.</b>	<b>ORIGINAL REFERENCE</b>	<b>TECHNICAL DATA</b>	<b>NOTES</b>
					$\emptyset$	
1	251	CAB-V 450	2 26 01 0200	VA 76189-A	14	23213611
1	251	CAB-V 470	2 26 01 0220	VA 76196-A	14	2321368

Scandic Diesel Services Inc.  
 6360 Notre Dame East  
 Montreal, Quebec  
 H1N 2E1, Canada

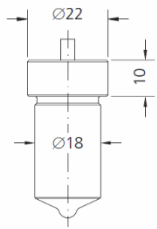
Phone +1 514 228 1299  
 Telefax +1 514 256 8237  
 24 hours +1 514 566 1553  
 Email sales@scandiserv.com

[www.scandiserv.com](http://www.scandiserv.com)

Scandic Diesel Services © 2009 - 2011  
 All rights reserved



**ALCO**



NOZZLE ELEMENTS SUITABLE TO:				ALCO			
	ENGINE TYPE 251	SDS TYPE	SDS No.	ORIGINAL REFERENCE	SPRAY DATA	PRESS. STAGE	PUMP ELEMENTS Ø
B	6 CYL. 1050 HP 16 CYL. 2600 HP	L 157 TM 821-6	3 04 01 0550	22310219 ADL157TM821-6	9x0.35x157°	7x4.0	Ø 15 m/m BC76286-2A
C	12 CYL. 2150 HP 16 CYL. 3050 HP	L 157 TM 821-6	3 04 01 0550	22310219 ADL157TM821-6	9x0.35x157°	7x4.0	Ø 16 m/m BC76286-3A
D	6 CYL. 1350 HP	L 157 TM 822-6	3 04 01 0555	ADL157TM822-6	9x0.375x157°	7x4.0	Ø 17 m/m BC76356-A
E	16 CYL. 3300 HP	L 157 TM 821-6	3 04 01 0550	22310219 ADL157TM821-6	9x0.35x157°	7x4.0	Ø 16 m/m BC76286-3A
E	REVISED PISTON	L 145 TM 829-6	3 04 01 0565	22310227 ADL145TM829-6	9x0.35x145°	7x4.0	Ø 16 m/m BC76286-3A
E	8 CYL. 1700 HP 12 CYL. 2600 HP	L 157 TM 822-6	3 04 01 0555	ADL157TM822-6	9x0.375x157°	7x4.0	Ø 17 m/m BC76356-A
E	REVISED PISTON	L 145 TM 827-6	3 04 01 0560	22310224 ADL145TM827-6	9x0.375x145°	7x4.0	Ø 17 m/m BC76356-A
F	16 CYL. 3900 HP	L 157 TM 822-6	3 04 01 0555	ADL157TM822-6	9x0.375x157°	7x4.0	Ø 17 m/m BC76356-A
F	REVISED PISTON	L 145 TM 827-6	3 04 01 0560	22310224 ADL145TM827-6	9x0.375x145°	7x4.0	Ø 17 m/m BC76356-A
F	6-12-18 CYL. 1500 3000 4500 HP	L 145 TM 830-6	3 04 01 0570	22310226 ADL145TM830-6	9x0.40x145°	7x4.0	Ø 18
	ALCO 251	L 145 TM 836-6	3 04 01 0580	ADL145TM836-6	9x0.325x145°	7x4.0	
	ALCO 251	L 160 TM 839-6	3 04 01 0585	ADL160TM839-6	9x0.375x160°	7x4.0	

Scandic Diesel Services Inc.  
 6360 Notre Dame East  
 Montreal, Quebec  
 H1N 2E1, Canada

Phone +1 514 228 1299  
 Telefax +1 514 256 8237  
 24 hours +1 514 566 1553  
 Email sales@scandiserv.com

[www.scandiserv.com](http://www.scandiserv.com)

Scandic Diesel Services © 2009 - 2011  
 All rights reserved