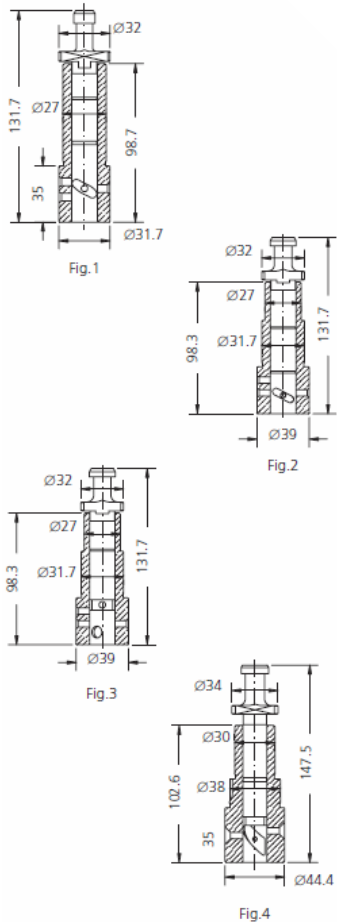




Scandic Diesel Services Inc.
"It's smooth sailing from here"

BENDIX



PUMP ELEMENTS SUITABLE TO:					BENDIX		NOTES
DRW.	ENGINE TYPE	SDS TYPE	SDS No.	ORIGINAL REFERENCE	TECHNICAL DATA		
					Ø	HELIX DIRECT.	
1		CBX-P 001	1 12 18 0005	10-16425	15	LH	
1		CBX-P 002	1 12 18 0010	10-16426	16	LH	
1		CBX-P 003	1 12 18 0015	10-17918	18	LH	
1		CBX-P 004	1 12 18 0020	10-39315	15	LH	
2		CBX-P 020	1 14 18 0005	10-24450	20	LH	
2		CBX-P 025	1 14 18 0010	10-33109	19	LH	
2		CBX-P 030	1 14 18 0015	10-04719	19	LH	
2		CBX-P 040	1 14 18 0025	10-519218	18	LH	
3		CBX-P 035	1 14 18 0020	10-375639	19	LH	
4		CBX-P 100	1 14 18 0085	10-375427	17	LH	GE 132 X 1293/1
4		CBX-P 120	1 14 18 0105	10-519368	18	LH	GE 132 X 154 1
4		CBX-P 122	1 14 18 0107	9041238	18	LH	

Scandic Diesel Services Inc.
 6360 Notre Dame East
 Montreal, Quebec
 H1N 2E1, Canada

Phone +1 514 228 1299
 Telefax +1 514 256 8237
 24 hours +1 514 566 1553
 Email sales@scandiserv.com

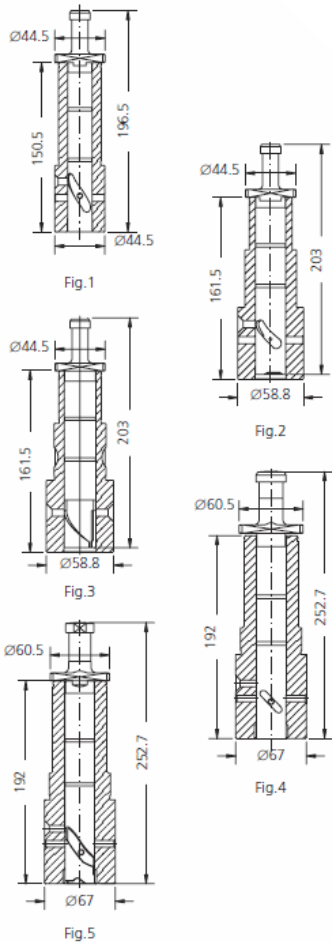
www.scandiserv.com

Scandic Diesel Services © 2009 - 2011
 All rights reserved



Scandic Diesel Services Inc.
"It's smooth sailing from here"

BENDIX



PUMP ELEMENTS SUITABLE TO:					BENDIX		NOTES
DRW.	ENGINE TYPE	SDS TYPE	SDS No.	ORIGINAL REFERENCE	TECHNICAL DATA		
					Ø	HELIX DIRECT.	
1		CBX-P 140	1 14 18 0130	10-18712	22	LH	
1		CBX-P 145	1 14 18 0135	10-18714	24	LH	
1		CBX-P 150	1 14 18 0140	10-39202	22	LH	
1		CBX-P 155	1 14 18 0145	10-39378	18	LH	
1		CBX-P 160	1 14 18 0150	10-165042	22	LH	
2		CBX-P 178	1 17 18 0003	10-73432	22	LH	
2		CBX-P 180	1 17 18 0005	10-82574	24	LH	
2		CBX-P 185	1 17 18 0010	10-328164	24	LH	
2		CBX-P 190	1 17 18 0015	10-375587	27	LH	
3		CBX-P 195	1 17 18 0020	10-519458	28	LH	
4		CBX-P 220	1 26 18 0005	10-84888	28	LH	GE 132 X 1709
5		CBX-P 230	1 26 18 0010	30-3	30	LH	

Scandic Diesel Services Inc.
 6360 Notre Dame East
 Montreal, Quebec
 H1N 2E1, Canada

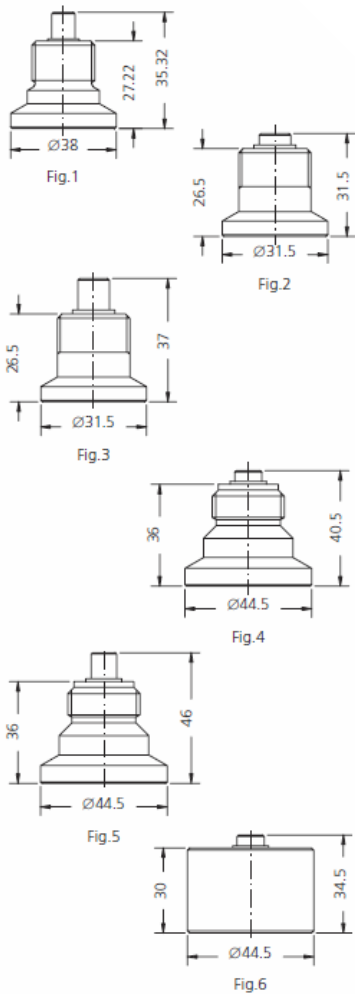
Phone +1 514 228 1299
 Telefax +1 514 256 8237
 24 hours +1 514 566 1553
 Email sales@scandiserv.com

www.scandiserv.com

Scandic Diesel Services © 2009 - 2011
 All rights reserved



BENDIX



Scandic Diesel Services Inc.
 6360 Notre Dame East
 Montreal, Quebec
 H1N 2E1, Canada

Phone +1 514 228 1299
 Telefax +1 514 256 8237
 24 hours +1 514 566 1553
 Email sales@scandiserv.com

DELIVERY VALVES SUITABLE TO:					BENDIX	
DRW.	ENGINE TYPE	SDS TYPE	SDS No.	ORIGINAL REFERENCE	TECHNICAL DATA	NOTES
					\varnothing	
1		CBX-V 020	2 26 18 0020	10-165185-1	9.5	ex 10-17945
2		CBX-V 048	2 26 18 0038	10-165191-6	12.7	
2		CBX-V 050	2 26 18 0040	10-165191-19	12.7	
3		CBX-V 090	2 26 18 0010	10-94719	12.7	
4		CBX-V 120	2 26 18 0030	10-157524-5	12.7	
5		CBX-V 150	2 26 18 0025	10-18715	12.7	
6		CBX-V 180	2 26 18 0042	10-73571-7	12.7	GE 123 X 1283

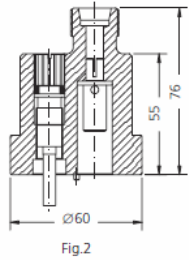
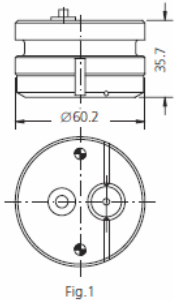
www.scandiserv.com

Scandic Diesel Services © 2009 - 2011
 All rights reserved



Scandic Diesel Services Inc.
"It's smooth sailing from here"

BENDIX



DELIVERY VALVES SUITABLE TO:					BENDIX	
DRW.	ENGINE TYPE	SDS TYPE	SDS No.	FOR PUMP	TECHNICAL DATA	NOTES
					\varnothing	
1		CBX-V 510	2 53 18 0010	10-73432	12/17	
2		CBX-V 511	2 53 18 0011	10-73432		

Scandic Diesel Services Inc.
 6360 Notre Dame East
 Montreal, Quebec
 H1N 2E1, Canada

Phone +1 514 228 1299
 Telefax +1 514 256 8237
 24 hours +1 514 566 1553
 Email sales@scandiserv.com

www.scandiserv.com

Scandic Diesel Services © 2009 - 2011
 All rights reserved



BENDIX

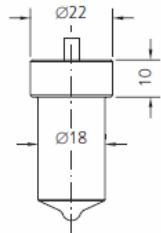


Fig.1

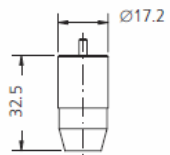


Fig.2

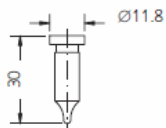
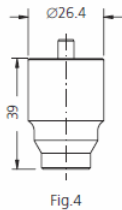
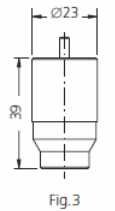
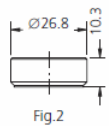
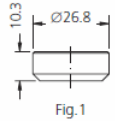


Fig.3

NOZZLE ELEMENTS SUITABLE TO:					BENDIX		
DRW.	ENGINE TYPE	SDS TYPE	SDS No.	ORIGINAL REFERENCE	SPRAY DATA	PRESS. STAGE	NOTES
1	CBX-D 001		3 04 18 0005	10-375837-9	9x0.35x160°	7x4.85	ADL 160 TM 841-6
1	CBX-D 005		3 04 18 0010	10-9041360-1	10x0.41x150°	7x4.65	GE 123 X 1098 ADL 150 T 40 L 814 P 4
1	CBX-D 006		3 04 18 0011	10-9041360-2	10x0.35x150°	7x4.65	
1	CBX-D 007		3 04 18 0012	10-9041360-3	8x0.40x150°	7x4.65	
2	CBX-D 015		3 04 18 0020	10-27877-6		6x3.4	
2	CBX-D 016		3 04 18 0021	10-27877-18		6x3.4	
3	CBX-D 020		3 04 18 0050	10-83770-7	5x0.285x140°		
3	CBX-D 026		3 04 18 0056	10-83770-13	6x0.285x140°		



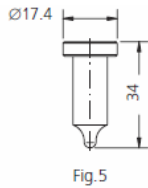
BENDIX



NOZZLE ELEMENTS SUITABLE TO:				BENDIX			
DRW.	ENGINE TYPE	SDS TYPE	SDS No.	ORIGINAL REFERENCE	SPRAY DATA	PRESS. STAGE	NOTES
1		CBX-Y 001	3 19 18 0005				
2		CBX-Y 002	3 19 18 0006	10-83557			
3		CBX-D 030	3 19 18 0010	10-83547-2		6.35x3.5	GE 123 X 1033
3		CBX-D 031	3 19 18 0011	10-83549-12 10-83549-4 10-83549-6 10-83549-8		7.15x4.8	
4		CBX-D 035	3 19 18 0015	10-328310		7.15x4.85	



BENDIX



NOZZLE ELEMENTS SUITABLE TO:					BENDIX		
DRW.	ENGINE TYPE	SDS TYPE	SDS No.	ORIGINAL REFERENCE	SPRAY DATA	PRESS. STAGE	NOTES
5		CBX-D 040	3 11 18 0020	10-83522-2	8x0.34x155°		
5		CBX-D 043	3 11 18 0023	10-83625-29	8x0.30x130°		
5		CBX-D 044	3 11 18 0024	10-83704-20	9x0.30x135°		
5		CBX-D 045	3 11 18 0025	10-328832-1	10x0.30x150		
5		CBX-D 046	3 11 18 0026	10-375292-2	10x0.41x150°		
5		CBX-D 047	3 11 18 0027	10-375292-10	10x0.35x150°		GE 123X1082
5		CBX-D 049	3 11 18 0029	10-519243-4	7x0.39x155°		
5		CBX-D 050	3 11 18 0030	10-519262-1	10x0.40x150°		GE 123 X 1053-1
5		CBX-D 052	3 11 18 0032	10-519243-7	7x0.36x160°		
5		CBX-D 053	3 11 18 0034	10-83625-1	9x0.35x165°		

Scandic Diesel Services Inc.
 6360 Notre Dame East
 Montreal, Quebec
 H1N 2E1, Canada

Phone +1 514 228 1299
 Telefax +1 514 256 8237
 24 hours +1 514 566 1553
 Email sales@scandiserv.com

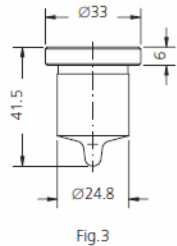
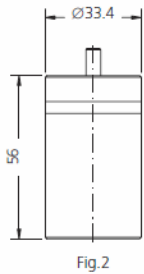
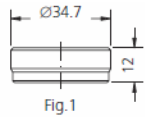
www.scandiserv.com

Scandic Diesel Services © 2009 - 2011
 All rights reserved



Scandic Diesel Services Inc.
"It's smooth sailing from here"

BENDIX



NOZZLE ELEMENTS SUITABLE TO:				BENDIX			
DRW.	ENGINE TYPE	SDS TYPE	SDS No.	ORIGINAL REFERENCE	SPRAY DATA	PRESS. STAGE	NOTES
1		CBX-Y 003	3 20 18 0005	10-83642			
2		CBX-D 100	3 20 18 0010	10-19761		7x4.0	
2		CBX-D 101	3 20 18 0011	10-94720-2		7x4.0	
2		CBX-D 102	3 20 18 0012	10-328708-2		8x4.8	
2		CBX-D 103	3 20 18 0013	10-328708-4		8x4.8	
3		CBX-D 120	3 12 18 0005	10-84702-15	8x0.45x140°		
3		CBX-D 121	3 12 18 0010	10-84702-23	7x0.50x163°		
3		CBX-D 122	3 12 18 0015	10-84703-11	8x0.48x140°		
3		CBX-D 123	3 12 18 0020	10-84803-21	9x0.52x160°		
3		CBX-D 124	3 12 18 0025	10-84803-46	9x0.52x155°		
3		CBX-D 125	3 12 18 0030	10-94773-2	10x0.39x155°		
3		CBX-D 126	3 12 18 0035	10-94776-13	9x0.45x160°		
3		CBX-D 128	3 12 18 0045	10-84802-19	8x0.54x150°		
3		CBX-D 129	3 12 18 0050	10-84802-29	8x0.60x140°		
3		CBX-D 130	3 12 18 0055	10-84802-30	8x0.60x135°		

Scandic Diesel Services Inc.
 6360 Notre Dame East
 Montreal, Quebec
 H1N 2E1, Canada

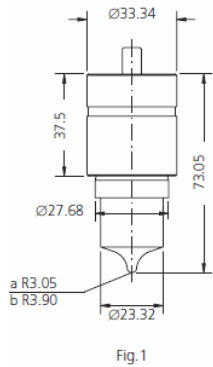
Phone +1 514 228 1299
 Telefax +1 514 256 8237
 24 hours +1 514 566 1553
 Email sales@scandiserv.com

www.scandiserv.com

Scandic Diesel Services © 2009 - 2011
 All rights reserved



BENDIX



NOZZLE ELEMENTS SUITABLE TO:				BENDIX			
DRW.	ENGINE TYPE	SDS TYPE	SDS No.	ORIGINAL REFERENCE	SPRAY DATA	PRESS. STAGE	NOTES
1a		CBX-D 150	3 20 18 0050	10-328367-2	7x0.50x120°	8x4.5	
1a		CBX-D 151	3 20 18 0051	10-328367-4	7x0.53x120°	8x4.5	
1a		CBX-D 152	3 20 18 0052	10-328367-10	7x0.48x120°	8x4.5	
1b		CBX-D 153	3 20 18 0053	10-328367-11	4x0.46x120°	8x4.5	
1a		CBX-D 154	3 20 18 0054	10-328367-13	7x0.46x120°	8x4.5	
1a		CBX-D 155	3 20 18 0055	10-328367-14	7x0.43x120°	8x4.5	
1a		CBX-D 160	3 20 18 0060	10-328367-20	8x0.53x120°	8x4.5	
1b		CBX-D 161	3 20 18 0061	10-328367-21	4x0.46x120°	8x4.5	
1a		CBX-D 163	3 20 18 0063	10-328367-23	7x0.53x120°	8x4.5	
1a		CBX-D 165	3 20 18 0065	10-328367-25	7x0.46x120°	8x4.5	
1a		CBX-D 167	3 20 18 0067	10-328367-27	9x0.47x140°	8x4.5	
1a		CBX-D 168	3 20 18 0068	10-328367-28	7x0.51x140°	8x4.5	
1a		CBX-D 170	3 20 18 0070	10-328367-30	7x0.57x120°	8x4.5	
1a		CBX-D 172	3 20 18 0072	10-328367-32	8x0.56x120°	8x4.5	
1a		CBX-D 175	3 20 18 0075	10-375971	9x0.47x140°	8x4.5	