



K.H. DEUTZ

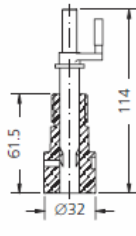


Fig.1

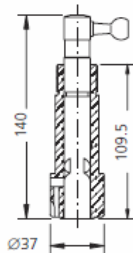


Fig.2

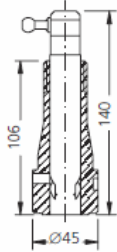


Fig.3

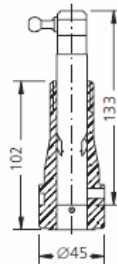


Fig.4

PUMP ELEMENTS SUITABLE TO:

K.H. DEUTZ

DRW.	ENGINE TYPE	SDS TYPE	SDS No.	ORIGINAL REFERENCE	TECHNICAL DATA		NOTES
					Ø	HELIX DIRECT.	
1	AM 528	CKD-P 029	1 14 21 0035	33 12 589 221619 D3L	13	LH	ASPIRATED
1	AM 528	CKD-P 030	1 14 21 0040	33 12 587 221619 C3R	13	RH	
2	VM 436	CKD-P 055	1 25 21 0010	212683 C3R	18	RH	
2	VM 345	CKD-P 056	1 25 21 0020	212683 C3L	18	LH	
3	BMV 545	CKD-P 060	1 25 21 0100		21	LH	WITH HOLE
3	BMV 545	CKD-P 061	1 25 21 0101		21	RH	
4	BMV 545	CKD-P 062	1 25 21 0110		21	LH	
4	BMV 545	CKD-P 063	1 25 21 0111		21	RH	

Scandic Diesel Services Inc.
 6360 Notre Dame East
 Montreal, Quebec
 H1N 2E1, Canada

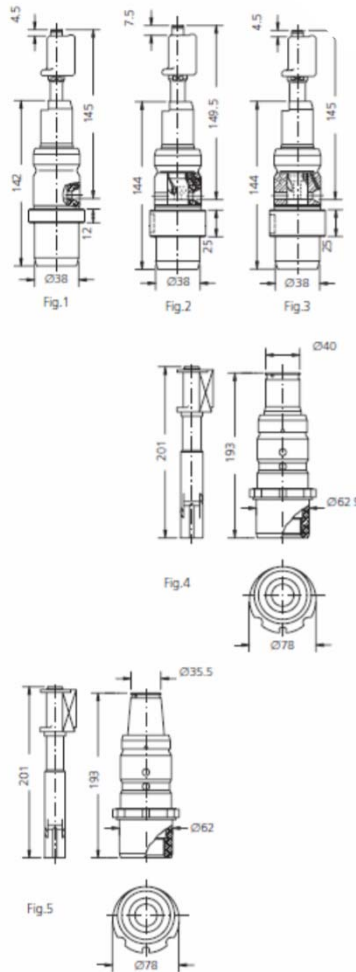
Phone +1 514 228 1299
 Telefax +1 514 256 8237
 24 hours +1 514 566 1553
 Email sales@scandiserv.com

www.scandiserv.com

Scandic Diesel Services © 2009 - 2011
 All rights reserved



K.H. DEUTZ



PUMP ELEMENTS SUITABLE TO:					K.H. DEUTZ		
DRW.	ENGINE TYPE	SDS TYPE	SDS No.	ORIGINAL REFERENCE	TECHNICAL DATA		NOTES
					Ø	HELIX DIRECT.	
1	BAM 528	CKD-P 100	1 25 21 0130	212 2520 212 250	16	LH	
2	BAM 528	CKD-P 109	1 25 21 0139		18	RH	
2	BAM 528	CKD-P 110	1 25 21 0140	212 2512 212 2514	18	LH	
3	BAM 528	CKD-P 111	1 25 21 0150		18	RH	
3	BAM 528	CKD-P 112	1 25 21 0151		18	LH	
4	BMV 545 BMV 358	CKD-P 130	1 25 21 0115		26	LH	C0199-17-102.37
5	BMV 545	CKD-P 131	1 25 21 0116	3379157	24	RH	C0199-17-102.39
5	BMV 545	CKD-P 132	1 25 21 0117		24	LH	

Scandic Diesel Services Inc.
 6360 Notre Dame East
 Montreal, Quebec
 H1N 2E1, Canada

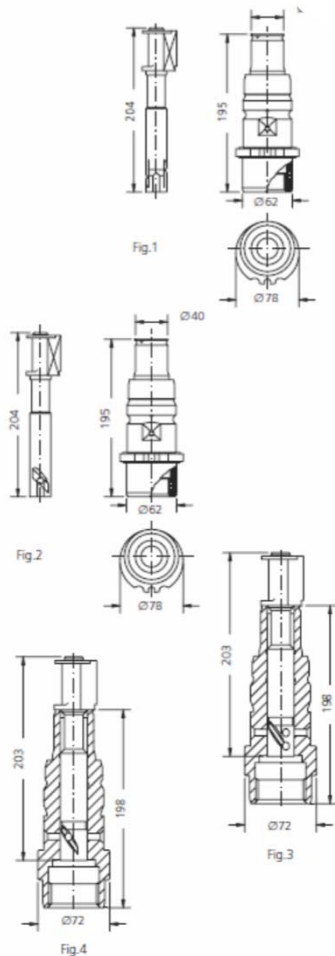
Phone +1 514 228 1299
 Telefax +1 514 256 8237
 24 hours +1 514 566 1553
 Email sales@scandiserv.com

www.scandiserv.com

Scandic Diesel Services © 2009 - 2011
 All rights reserved



K.H. DEUTZ



PUMP ELEMENTS SUITABLE TO:					K.H. DEUTZ		
DRW.	ENGINE TYPE	SDS TYPE	SDS No.	ORIGINAL REFERENCE	TECHNICAL DATA		NOTES
					Ø	HELIX DIRECT.	
1	L 218 BMV 350	CKD-P 133	1 25 21 0118		26	LH	
2	L 206 BMV 350/545	CKD-P 134	1 25 21 0119	0 217 0726	26	LH	
3	BVM 540	CKD-P 135	1 25 21 0120	212 4999 212 7229 212 7228	27	LH	
3	BVM 358	CKD-P 140	1 25 21 0125	212 1629 218 9535	30	RH	
3	BVM 358	CKD-P 141	1 25 21 0126		30	LH	
4	BVM 350	CKD-P 146	1 25 21 136	0218 9955	26	LH	

Scandic Diesel Services Inc.
 6360 Notre Dame East
 Montreal, Quebec
 H1N 2E1, Canada

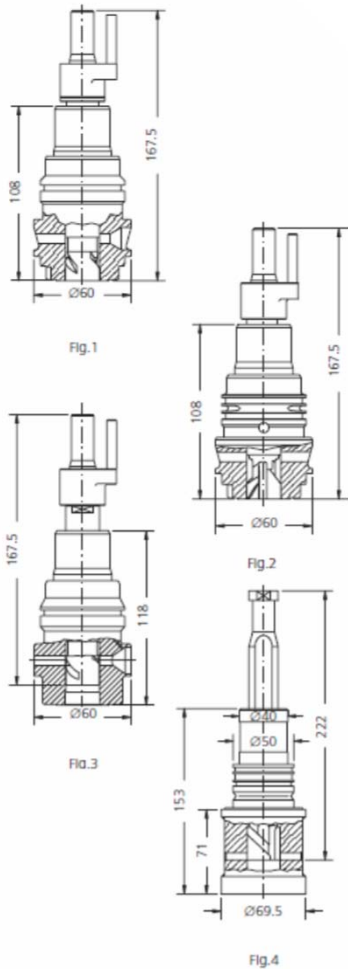
Phone +1 514 228 1299
 Telefax +1 514 256 8237
 24 hours +1 514 566 1553
 Email sales@scandiserv.com

www.scandiserv.com

Scandic Diesel Services © 2009 - 2011
 All rights reserved



K.H. DEUTZ



PUMP ELEMENTS SUITABLE TO:					K.H. DEUTZ		
DRW.	ENGINE TYPE	SDS TYPE	SDS No.	ORIGINAL REFERENCE	TECHNICAL DATA		NOTES
					Ø	HELIX DIRECT.	
1	M 628	CKD-P 200	1 25 21 0200	0212 7802	21	LH	
2	SBV8 M628	CKD-P 201	1 25 21 0201	0212 5446	21	LH	
2	BVM 628	CKD-P 202	1 25 21 0202	0212 5827	21	LH	
3	BVM 628	CKD-P 205	1 25 21 0205	0212 4379 A	21	LH	
4	M 640	CKD-P 250	1 63 21 0250	0212 6031	27	LH	

Scandic Diesel Services Inc.
 6360 Notre Dame East
 Montreal, Quebec
 H1N 2E1, Canada

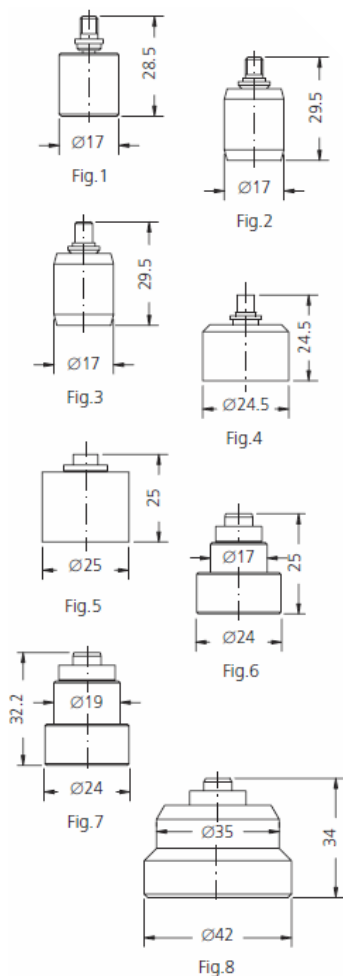
Phone +1 514 228 1299
 Telefax +1 514 256 8237
 24 hours +1 514 566 1553
 Email sales@scandiserv.com

www.scandiserv.com

Scandic Diesel Services © 2009 - 2011
 All rights reserved



K.H. DEUTZ



Scandic Diesel Services Inc.
 6360 Notre Dame East
 Montreal, Quebec
 H1N 2E1, Canada

Phone +1 514 228 1299
 Telefax +1 514 256 8237
 24 hours +1 514 566 1553
 Email sales@scandiserv.com

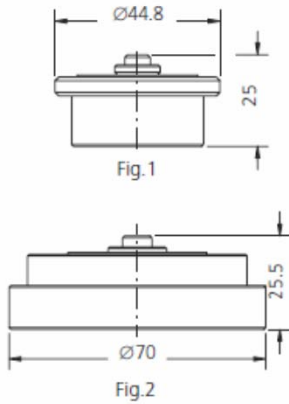
www.scandiserv.com

Scandic Diesel Services © 2009 - 2011
 All rights reserved

DELIVERY VALVES SUITABLE TO:				K.H. DEUTZ		
DRW.	ENGINE TYPE	SDS TYPE	SDS No.	ORIGINAL REFERENCE	TECHNICAL DATA	NOTES
					Ø	
1	TM 233	CKD-V 030	2 06 21 0030	201 012-H3	6	
2	TM 345	CKD-V 035	2 06 21 0035	221 312 G3	6	
3	BAM 528	CKD-V 040	2 06 21 0040	A 26	6	
4	BAM 528	CKD-V 045	2 06 21 0045	A 28	6	
5	BAM 528	CKD-V 075	2 11 21 0075		10	
5	BAM 528	CKD-V 076	2 11 21 0076		10	WITH HOLE
6	BAM 528	CKD-V 095	2 10 21 0095		10	
7	BAM 528	CKD-V 100	2 13 21 0010	A 40	13	WITH SPRING
8	BVM 358-BVM 540	CKD-V 119	2 10 21 0029	0212-1875	10	
8	BVM 358-BVM 540	CKD-V 120	2 13 21 0003	0212-1328 0117-427	13	WITH SPRING



K.H. DEUTZ



DELIVERY VALVES SUITABLE TO:				K.H. DEUTZ		
DRW.	ENGINE TYPE	SDS TYPE	SDS No.	ORIGINAL REFERENCE	TECHNICAL DATA	NOTES
					\emptyset	
1	BVM 628	CKD-V 200	2 10 21 0200	0212 7805	10	
1	BVM 628	CKD-V 201	2 10 21 0201	0212 8706	10	WITH HOLE
2	KZ/F27	CKD-V 202	2 10 21 0202	0212 6034	13	

Scandic Diesel Services Inc.
 6360 Notre Dame East
 Montreal, Quebec
 H1N 2E1, Canada

Phone +1 514 228 1299
 Telefax +1 514 256 8237
 24 hours +1 514 566 1553
 Email sales@scandiserv.com

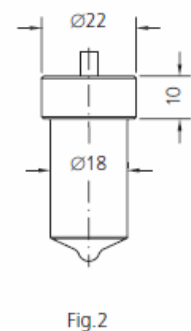
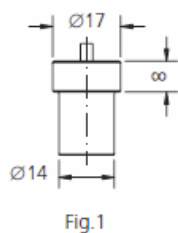
www.scandiserv.com

Scandic Diesel Services © 2009 - 2011
 All rights reserved



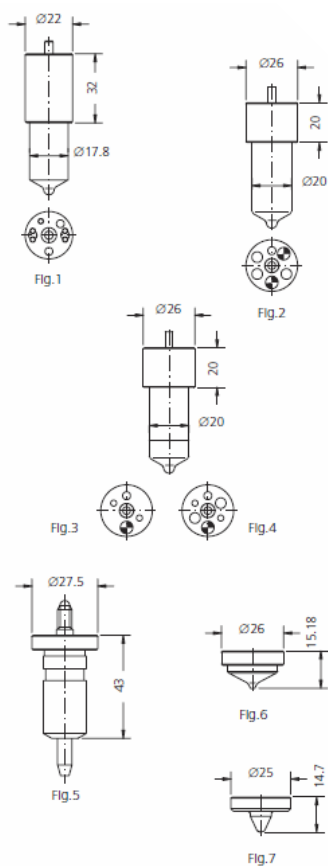
K.H. DEUTZ

NOZZLE ELEMENTS SUITABLE TO:				K.H. DEUTZ			
DRW.	ENGINE TYPE	SDS TYPE	SDS No.	ORIGINAL REFERENCE	SPRAY DATA	PRESS. STAGE	NOTES
1	A12.714-716	NO SD149	3 01 02 0125		1x2.0	6x3.0	
1	A12.16816	NO SD174	3 01 02 0164		1x2.0	6x3.0	
2	AM 528 AAM 528 DL BAM 528	L 140 T 92	3 04 02 0285	0 433 300 132	7x0.30x140°	6x3.0	
2		L 100 T 728	3 04 02 0482	0 433 300 027	5x0.20x100°	6x3.0	
2		L 125 T 957	3 04 02 0596	0 433 300 091	8x0.25x125°	6x3.0	
2		L 150 T 957	3 04 02 0600	0 433 300 180	8x0.25x150°	6x3.0	
2		L 150 T 958	3 04 02 0605	0 433 300 181	6x0.25x150°	6x3.0	
2		L 140 T 1124 M	3 04 21 0011	0205 4684	7x0.35x140°	6x3.5	
2		BAM 528	CKD-D 030	3 04 21 0010	0206 7953	7x0.385x130°	6x3.5
2	CKD-D 032		3 04 21 0012		8x0.30x140°	6x3.0	
2	CKD-D 033		3 04 21 0013	0332 2795	8x0.27x150°	6x3.0	
2	CKD-D 034		3 04 21 0014	0332 2796	7x0.30x140°	6x3.1	
2	CKD-D 035		3 04 21 0015	0205 2895	8x0.33x135°	6x3.0	
2	CKD-D 036		3 04 21 0016	0205 7518	7x0.37x140°	6x3.0	
2	CKD-D 038		3 04 21 0018	0407 8971	7x0.36x130°	6x3.5	





K.H. DEUTZ



* = RAFFREDDATO - COOLED
 C = CROMATO - CHROMATED

NOZZLE ELEMENTS SUITABLE TO:				K.H. DEUTZ			
DRW.	ENGINE TYPE	SDS TYPE	SDS No.	ORIGINAL REFERENCE	SPRAY DATA	PRESS. STAGE	NOTES
*1	BAM 528	LF 140 T 14	3 30 02 0014	274 486F 332 4092	7x0.30x140°	6x3.0	0 433 351 016
*1		LF 140 T 19	3 30 02 0019	274 486H 332 4093	6x0.30x140°	6x3.0	0 433 351 022
*1		LF 140 T 34	3 30 02 0034	206 1470	7x0.36x140°	6x3.5	0 433 351 037
*1		LF 150 T 17	3 30 02 0017		8x0.25x150°	6x3.0	0 433 351 020
2	BVM 628	CKD-D 047	3 19 21 0037	0407 9765	7x0.43x145°	7x4.0	
2		CKD-D 050	3 19 21 0040	0409 0711	7x0.41x140°	7x4.0	
2		CKD-D 052	3 19 21 0042	0407 7953	7x0.42x140°	7x4.0	
2		CKD-D 053	3 19 21 0043	0409 1878	7x0.41x145°	7x4.0	
*3	BVM 628	CKD-D 055	3 31 21 0045	0407 3550	7x0.425x140°	7x4.0	
*4	BVM 628	CKD-D 056	3 31 21 0050	0409 0712	7x0.41x140°	7x4.0	
5	VM 366 / VM 536 VM 545	CKD-D 001	3 04 21 0005	0347 0635		7x3.6	
6	VM 366 / VM 536 VM 545	CKD-D 002	3 19 21 0005	273 820V	6x0.35x65°		
		CKD-D 008	3 19 21 0011	273 820M	6x0.45x55°		
6	VM 366 / VM 536 VM 545	CKD-D 009	3 19 21 0012	0332 3559	6x0.40x55°		
		CKD-D 010	3 19 21 0013	0332 3561	6x0.30x65°		
7	VM 366 / VM 536 VM 545	CKD-D 016	3 19 21 0019	203 2275	6x0.40x60°		
		CKD-D 017	3 19 21 0020	347 4525	6x0.40x65°		
7	VM 366 / VM 536 VM 545	CKD-D 022	3 19 21 0025	0330 6729	6x0.35x65°		
		CKD-D 024	3 19 21 0027	0332 3554	6x0.50x55°		

Scandic Diesel Services Inc.
 6360 Notre Dame East
 Montreal, Quebec
 H1N 2E1, Canada

Phone +1 514 228 1299
 Telefax +1 514 256 8237
 24 hours +1 514 566 1553
 Email sales@scandiserv.com

www.scandiserv.com

Scandic Diesel Services © 2009 - 2011
 All rights reserved



K.H. DEUTZ

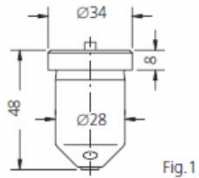


Fig.1

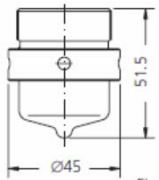


Fig.2

NOZZLE ELEMENTS SUITABLE TO:					K.H. DEUTZ		
DRW.	ENGINE TYPE	SDS TYPE	SDS No.	ORIGINAL REFERENCE	SPRAY DATA	PRESS. STAGE	NOTES
*1	BVM 350, BVM 358 BVM 536, BVM 545	CKD-D 060	3 16 21 0005	0335-5290	1x2.0	7x3.5	
*1	BVM 350, BVM 358	CKD-D 061	3 16 21 0010	0200-8643	1x2.4	8x5.5	
2	BVM 358	CKD-D 063	3 17 21 0005	0200 8644	6x0.60x110°		
2	BVM 350	CKD-D 064	3 17 21 0006	0202 0764	6x0.60x120°		
2	BVM 358	CKD-D 065	3 17 21 0007	0202 0415	6x0.65x110°		
2	BVM 350	CKD-D 066	3 17 21 0008	0202 0638	6x0.60x135°		
2	BVM 358	CKD-D 070	3 17 21 0012	273 820 D	6x0.50x110°		
2	BVM 358	CKD-D 071	3 17 21 0013	273 820 F	6x0.55x110°		
2	BVM 350	CKD-D 073	3 17 21 0015	273 820 G	6x0.55x120°		
2	BVM 350	CKD-D 077	3 17 21 0019	273 820 E	6x0.50x120°		



K.H. DEUTZ

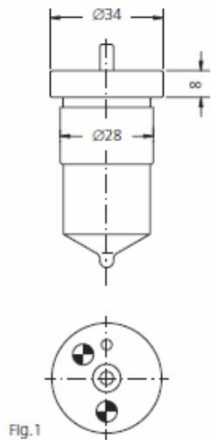


Fig.1

NOZZLE ELEMENTS SUITABLE TO:				K.H. DEUTZ			
DRW.	ENGINE TYPE	SDS TYPE	SDS No.	ORIGINAL REFERENCE	SPRAY DATA	PRESS. STAGE	NOTES
1	BVM 366	CKD-D 100	3 16 21 0020	0332 3536	6x0.55x130°	7x3.5	
1	BVM 545	CKD-D 102	3 16 21 0022	0332 3535 273797 A3	6x0.45x130°	7x3.5	
1	BVM 545	CKD-D 104	3 16 21 0024	273 797J3	6x0.40x110°	7x3.5	
1	BVM 545	CKD-D 105	3 16 21 0025	0347 6131	6x0.45x110°	7x3.5	
1	BVM 545	CKD-D 106	3 16 21 0026	0332 3539	6x0.40x130°	7x3.5	
1	BVM 536	CKD-D 109	3 16 21 0029	0332 3540	6x0.35x130°	7x3.5	
1	BVM 536, BVM 545	CKD-D 110	3 16 21 0030	0347 6132	6x0.30x130°	7x3.5	
1	BVM 545	CKD-D 111	3 16 21 0031	0203 2292	6x0.45x120°	7x3.5	
1	BVM 545	CKD-D 112	3 16 21 0032	0203 2435	6x0.40x120°	7x3.5	
1	BVM 358	CKD-D 116	3 16 21 0036	0335 5291	6x0.55x110°	7x3.5	



Scandic Diesel Services Inc.
"It's smooth sailing from here"

K.H. DEUTZ

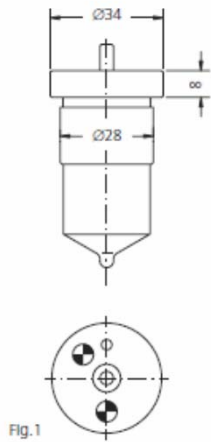


Fig.1

NOZZLE ELEMENTS SUITABLE TO:				K.H. DEUTZ			
DRW.	ENGINE TYPE	SDS TYPE	SDS No.	ORIGINAL REFERENCE	SPRAY DATA	PRESS. STAGE	NOTES
1	BVM 350	CKD-D 117	3 16 21 0037	0335 5292	6x0.55x120°	7x3.5	
1	BVM 358	CKD-D 118	3 16 21 0038	0335 5293	6x0.50x110°	7x3.5	
1	BVM 350	CKD-D 119	3 16 21 0039	0335 5294	6x0.50x120°	7x3.5	
1	BVM 350	CKD-D 120	3 16 21 0040	0202 0762	6x0.60x120°	7x3.5	
1	BVM 358	CKD-D 126	3 16 21 0046	0200 8648	6x0.60x110°	8x5.5	
1	BVM 350	CKD-D 127	3 16 21 0047	0202 0633	6x0.60x135°	8x5.5	
1	BVM 358	CKD-D 128	3 16 21 0048	0202 0419	6x0.65x110°	8x5.5	

Scandic Diesel Services Inc.
 6360 Notre Dame East
 Montreal, Quebec
 H1N 2E1, Canada

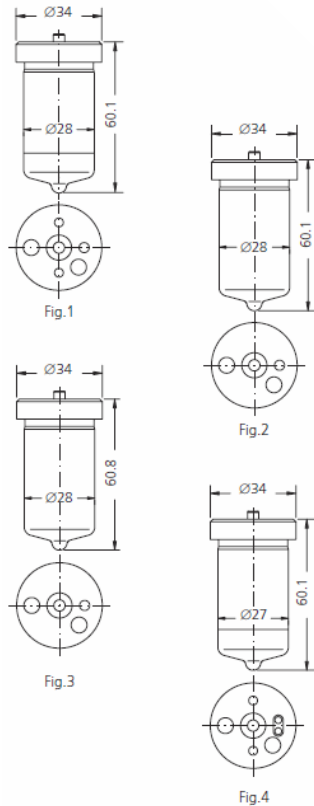
Phone +1 514 228 1299
 Telefax +1 514 256 8237
 24 hours +1 514 566 1553
 Email sales@scandiserv.com

www.scandiserv.com

Scandic Diesel Services © 2009 - 2011
 All rights reserved



K.H. DEUTZ



* = RAFFREDDATO - COOLED
 c = CROMATO - CHROMATED

NOZZLE ELEMENTS SUITABLE TO:				K.H. DEUTZ			
DRW.	ENGINE TYPE	SDS TYPE	SDS No.	ORIGINAL REFERENCE	SPRAY DATA	PRESS. STAGE	NOTES
*1	BVM 540	CKD-D 150 H	3 35 21 0070	0204 6374	7x0.58x130°	8x5.5	HEAVY FUEL
*1	BVM 540	CKD-D 152 H	3 35 21 0072	0200 1658	4x0.52x120°+ 4x0.52x130°	8x5.5	HEAVY FUEL
2	BVM 540	CKD-D 160	3 16 21 0080	0200 0506	4x0.52x120°+ 4x0.52x130°	8x5.5	GAS OIL
2	BVM 540	CKD-D 162	3 16 21 0082	0204 6366	7x0.58x130°	8x5.5	GAS OIL
2 ^c	BVM 540	CKD-D 180	3 16 21 0100	0404 2307	7x0.58x130°	8x5.5	GAS OIL CHROMEPLATE
*1 ^c	BVM 540	CKD-D 170 H	3 35 21 0090	0404 1789	7x0.58x130°	8x5.5	HEAVY FUEL CHROMEPLATE
*1 ^c	BVM 640	CKD-D 175 H	3 35 21 0095	0209 2952	8x0.54x140°	8x5.5	HEAVY FUEL CHROMEPLATE
3	BVM 640	CKD-D 200	3 16 21 0120	0209 2905	8x0.54x140°	8x5.5	GAS OIL
*4	BVM 645	CKD-D 250	3 35 21 0150	1243 0021	10x0.53x150°	8x5	HEAVY FUEL

Scandic Diesel Services Inc.
 6360 Notre Dame East
 Montreal, Quebec
 H1N 2E1, Canada

Phone +1 514 228 1299
 Telefax +1 514 256 8237
 24 hours +1 514 566 1553
 Email sales@scandiserv.com

www.scandiserv.com

Scandic Diesel Services © 2009 - 2011
 All rights reserved