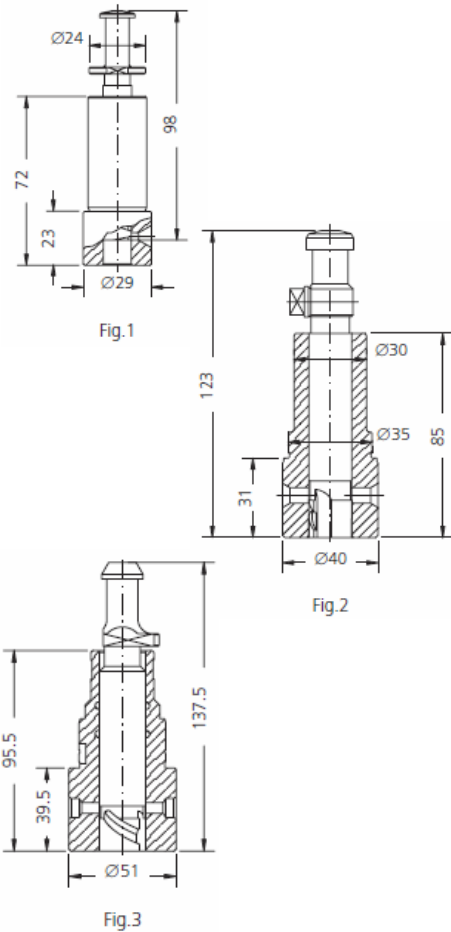




SACM



PUMP ELEMENTS SUITABLE TO:					SACM		
DRW.	ENGINE TYPE	SDS TYPE	SDS No.	ORIGINAL REFERENCE	TECHNICAL DATA		NOTES
					Ø	HELIX DIRECT.	
1	UD 30	CRB-P 684	1 12 02 0205	3 418 380 004	12	LH	DLT 32164
1	UD 30	CRB-P 686	1 12 02 0215	3 418 389 001	12	LH	DLT 32166
2	A.G.O. "G"	CBR-P 097	1 14 03 0002	6/110 A	16	LH	
2	A.G.O. "E"	CBR-P 102	1 14 03 0010	6/110 E	20	LH	
3	A.G.O. "E"	CBR-P 183	1 14 03 0015	36/62 F	22	LH	UPRATE
2	A.G.O. 240 RVM UD 45	CBR-P 102	1 14 03 0010	6/110 E	20	LH	



SACM

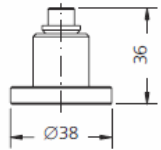


Fig.1

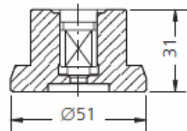


Fig.2

DELIVERY VALVES SUITABLE TO:				SACM		
DRW.	ENGINE TYPE	SDS TYPE	SDS No.	ORIGINAL REFERENCE	TECHNICAL DATA	NOTES
					Ø	
1	A.G.O. "G"	CBR-V 070	2 26 03 0005	21/125 B	10	
1	A.G.O. "E"	CBR-V 075	2 26 03 0015	21/125 G	10	
2	A.G.O. "E"	CBR-V 115	2 26 03 0040	36/54 G	14	UPRATE



SACM

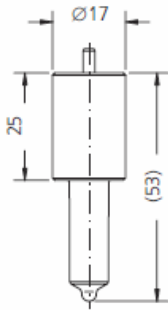


Fig.1

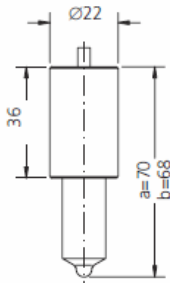


Fig.2

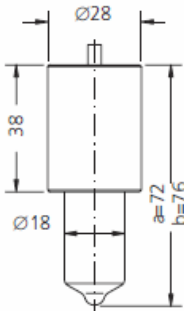


Fig.3

NOZZLE ELEMENTS SUITABLE TO:

SEMT PIELSTICK

DRW.	ENGINE TYPE	SDS TYPE	SDS No.	ORIGINAL REFERENCE	SPRAY DATA	PRESS. STAGE	NOTES
1	AGO 230 GAZ	LL 160 S 343	3 03 02 0635	DLL 160 S 343	6x0.40x160°	6x3.5	1060-1400-2100 2800 PS
1	UD 25-V 12	LL 120 S 352	3 03 02 0654	DLL 120 S 352	6x0.35x120°	6x3.5	
1	UD 150-L 6	LL 155 S 1271	3 03 02 1720	DLL 155 S 1271	8x0.29x155°	6x3.0	
1	AGO G	CSM-D 001	3 03 37 0005	DLT 33731	6x0.43x162°	6x3.7	LIGHT FUEL
1	AGO 195	CSM-D 002	3 03 37 0006	DLT 33739	6x0.55x160°+ 1x0.55x0°	7x4.2	ARLD 7
1	AGO 175 V	CSM-D 003	3 03 37 0007	ARL 429	8x0.375x150°	6x4.5	
1	UD 25-L 065 D	CSM-D 004	3 03 37 0008	ARL 2.012.882.7	9x0.29x146°	6x3.0	
2a	AGO 195 UD 33 RVN	CSM-D 025	3 06 37 0035	DLT 37037	6x0.53x170°+ 1x0.53x0°	8x4.7	
2b	AGO 195 UD 33 RVR	CSM-D 040	3 06 37 0050	DLT 130621	8x0.47x165°+ 3x0.31x28°	8x4.7	
3a	AGO 240 RVN UD 45 RVN	CSM-D 080	3 19 37 0050	DLT 37736	6x0.55x165°+ 1x0.6x0°	8x4.5	
3b	AGO 240 RVR UD 45 RVR	CSM-D 085	3 19 37 0055	DLT 123220	8x0.50x165°+ 1x0.65x0°	8x4.8	
3a	AGO 240 DSHR UD 45	CSM-D 090	3 19 37 0060	DLT 141003	9x0.44x155°	8x4.8	