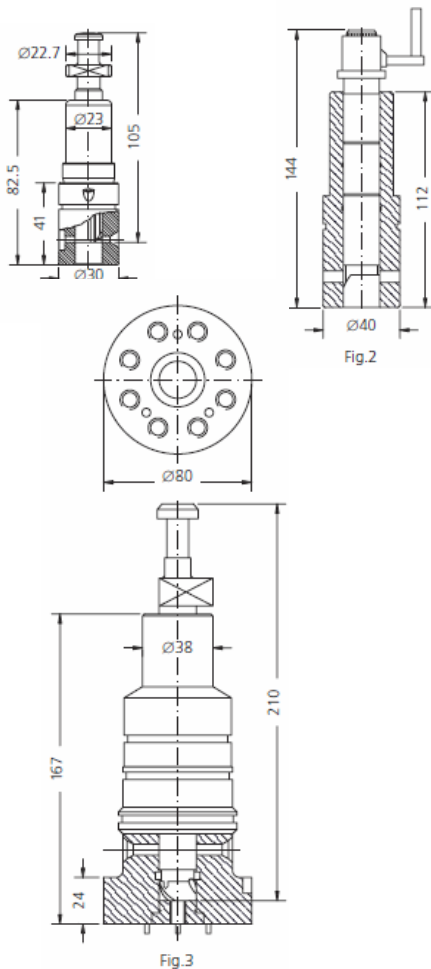




SKL



PUMP ELEMENTS SUITABLE TO:

SKL

| DRW. | ENGINE TYPE | SDS TYPE | SDS No. | ORIGINAL REFERENCE | TECHNICAL DATA | | NOTES |
|------|--------------|-----------|--------------|--------------------|----------------|---------------|------------|
| | | | | | Ø | HELIX DIRECT. | |
| 1 | NVD 26.2 | CSL-P 001 | 1 11 27 0140 | ZW 135.5 | 13.5 | RH | |
| 1 | NVD 26.2 | CSL-P 002 | 1 11 27 0141 | ZW 5.135 | 13.5 | LH | |
| 1 | NVD 26.A 2 | CSL-P 003 | 1 11 27 0143 | ZW 135.8 | 13.5 | RH | 621.32.151 |
| 1 | NVD 26 A 2 | CSL-P 004 | 1 11 27 0144 | ZW 8.135 | 13.5 | LH | 621.32.251 |
| 1 | NVD 26 A 3 | CSL-P 010 | 1 11 27 0167 | ZW 160.7 | 16 | RH | 90.80.34 |
| 1 | NVD 26 A 3 | CSL-P 011 | 1 11 27 0168 | ZW 7.160 | 16 | LH | 90.80.36 |
| 2 | VD 26/20 (S) | CSL-P 020 | 1 26 27 0025 | V 11.190 | 19 | LH | |
| 2 | VD 26/20 (S) | CSL-P 021 | 1 26 27 0026 | V 190.11 | 19 | RH | |
| 3 | 29/24 AL | CSL-P 210 | 1 26 27 0510 | 145.2 | 20 | LH | |

Scandic Diesel Services Inc.
 6360 Notre Dame East
 Montreal, Quebec
 H1N 2E1, Canada

Phone +1 514 228 1299
 Telefax +1 514 256 8237
 24 hours +1 514 566 1553
 Email sales@scandiserv.com

www.scandiserv.com

Scandic Diesel Services © 2009 - 2011
 All rights reserved



SKL

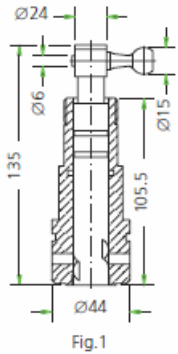


Fig.1

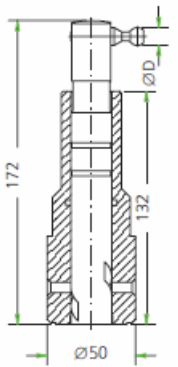


Fig.2

2a D=10
 2b D=15

| PUMP ELEMENTS SUITABLE TO: | | | | | SKL | | |
|----------------------------|------------------|-------------|--------------|--------------------|----------------|---------------|-------------------------------|
| DRW. | ENGINE TYPE | SDS TYPE | SDS No. | ORIGINAL REFERENCE | TECHNICAL DATA | | NOTES |
| | | | | | Ø | HELIX DIRECT. | |
| 1 | VD 36/24 | CSL-P 040 | 1 26 27 0130 | 7036-200.402 | 20 | RH | 222.160 140-22 |
| 1 | VD 36/24 | CSL-P 041 | 1 26 27 0131 | 7036-402.200 | 20 | LH | 222.159 840-52 |
| 1 | VDS 36/24 | CSL-P 042 H | 1 26 27 0135 | 7036-200.402 S | 20 | RH | 222.169 840-12 |
| 1 | VDS 36/24 | CSL-P 043 H | 1 26 27 0136 | 7036-402.200 S | 20 | LH | 222.169 840-02 |
| 1 | NVD 36 | CSL-P 044 | 1 26 27 0137 | 7036-160.482 | 16 | RH | 222.159 940-62 |
| 1 | NVD 36 | CSL-P 045 | 1 26 27 0138 | 7036-482.160 | 16 | LH | 222.159 940-32 |
| 2b | NVD 48 AU | CSL-P 047 | 1 26 27 0200 | 7048-501.200 | 20 | LH | 7948-00200 |
| 2b | NVD 48 AU | CSL-P 048 | 1 26 27 0201 | 7048-200.501 | 20 | RH | 7948-01200 |
| 2a | NVD 48 A 2 U | CSL-P 051 | 1 26 27 0216 | 7048-501.230 | 23 | LH | 7948-10230 KUGEL/BALL Ø 10 |
| 2a | NVD 48 A 2 U | CSL-P 050 | 1 26 27 0215 | 7048-230.501 | 23 | RH | 7948-11230 KUGEL/BALL Ø 10 |
| 2b | NVDS 48 A 2 U | CSL-P 053 | 1 26 27 0221 | 7048-502.230 | 23 | LH | 7948-10231 KUGEL/BALL Ø 15 |
| 2b | NVDS 48 A 2 U | CSL-P 052 | 1 26 27 0220 | 7048-230.502 | 23 | RH | 7948-11231 KUGEL/BALL Ø 15 |
| 2b | NVDS 48 A 2 U(S) | CSL-P 053 H | 1 26 27 0225 | 7048-502.230 | 23 | LH | 7948-10231 KUGEL/BALL Ø 15 |
| 2b | NVDS 48 A 2 U(S) | CSL-P 052 H | 1 26 27 0224 | 7048-230.502 | 23 | RH | 7948-11231 KUGEL/BALL Ø 15 |

Scandic Diesel Services Inc.
 6360 Notre Dame East
 Montreal, Quebec
 H1N 2E1, Canada

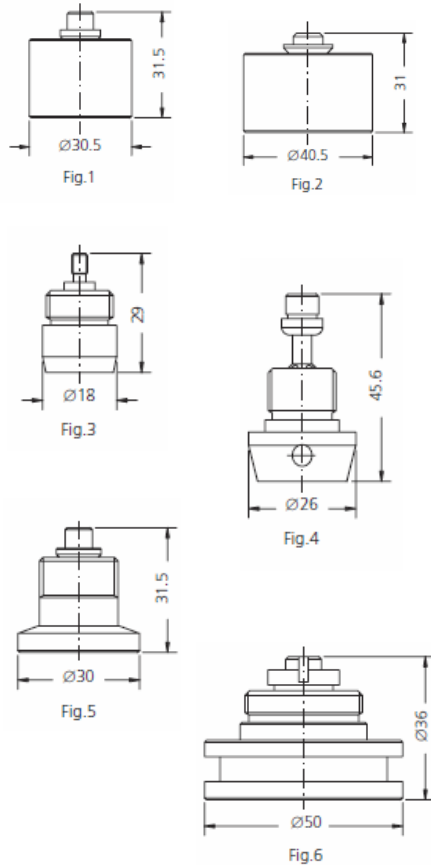
Phone +1 514 228 1299
 Telefax +1 514 256 8237
 24 hours +1 514 566 1553
 Email sales@scandiserv.com

www.scandiserv.com

Scandic Diesel Services © 2009 - 2011
 All rights reserved



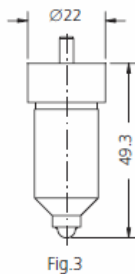
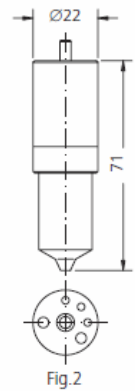
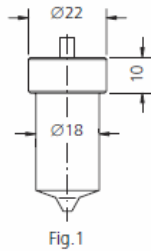
SKL



| DELIVERY VALVES SUITABLE TO: | | | | | SKL | |
|------------------------------|---------------------------------|--------------|--------------|--------------------|----------------|------------|
| DRW. | ENGINE TYPE | SDS TYPE | SDS No. | ORIGINAL REFERENCE | TECHNICAL DATA | NOTES |
| | | | | | Ø | |
| 1 | NVD 26 A 3 | CSL-V 050 | 2 09 27 0097 | 51 08 0097 | 9 | 499.029.02 |
| 2 | VD(S) 26/20 | CSL-V 100 | 2 12 27 0835 | 132835 | 12 | |
| 3 | VD 36/24, VDS 36/24 NVD 36 | CSL-V 001 | 2 07 27 0005 | 160540 | 7 | |
| 4 | CSL-V 005 | 2 08 27 0005 | | | 8 | |
| 5 | NVD 26 | CSL-V 030 | 2 21 27 0030 | | 9 | W 9 x 1.5 |
| 6 | NVD 48 A 2 U NVD(S) 48 A 2 U | CSL-V 010 | 2 14 27 0005 | 7948.00002 | 14 | |



SKL



* = RAFFREDDATO - COOLED
 C = CROMATO - CHROMATED

| NOZZLE ELEMENTS SUITABLE TO: | | | | | SKL | | |
|------------------------------|------------------------|-----------|--------------|--------------------|-------------|--------------|------------------|
| DRW. | ENGINE TYPE | SDS TYPE | SDS No. | ORIGINAL REFERENCE | SPRAY DATA | PRESS. STAGE | NOTES |
| 1 | NVD 26.2 | CSL-D 008 | 3 04 27 0013 | TA 725-130-3 | 7x0.25x130° | 6x3.3 | |
| 1 | NVD-26 A 2 | CSL-D 009 | 3 04 27 0014 | TA 725-155-3 | 7x0.25x155° | 6x3.3 | 242.000 601.8416 |
| 1 | NVD-26 A 2 NVD-26.3 | CSL-D 009 | 3 04 27 0014 | TA 725-155-3 | 7x0.25x155° | 6x3.3 | |
| 1 | NVD 26.A 3 | CSL-D 003 | 3 04 27 0008 | TA 535-130-3 | 5x0.35x130° | 6x3.3 | 242.006 100.8416 |
| 1 | VD 26/20 | CSL-D 015 | 3 04 27 0020 | TA 835-155-35 | 8x0.35x155° | 6x3.5 | 242.014 800.6416 |
| *2 | VDF 26/20* | CSL-D 083 | 3 30 27 0013 | TAF 835-155-35 | 8x0.35x155° | 6x3.5 | 243.014 600.2416 |
| 1 | NVD 36 | CSL-D 005 | 3 04 27 0010 | TA 630-130-3 | 6x0.30x130° | 6x3.3 | 242.000 700.2416 |
| 1 | VD 36/24 | CSL-D 012 | 3 04 27 0017 | TA 830-130 | 8x0.30x130° | 6x3.3 | 242.017 500.0416 |
| 3 | NVD 36 | CSL-D 030 | 3 04 27 0035 | T 1 A 630-130-4 | 6x0.30x130° | 6x3.5 | 242.000 800.3416 |
| 3 | NVD 36 A 1 | CSL-D 032 | 3 04 27 0037 | T 1 A 730-130-4 | 7x0.30x130° | 6x3.5 | 242.000 900.4416 |
| *2 | NVD(S) 36* | CSL-D 070 | 3 30 27 0001 | TAF 630-130-14 | 6x0.30x130° | 6x3.5 | 243.004 200.3416 |
| *2 | NVD(S) 36 A* | CSL-D 075 | 3 30 27 0005 | TAF 730-130-14 | 7x0.30x130° | 6x3.5 | 243.004 300.4116 |
| 1 | 36/24 | CSL-D 016 | 3 04 27 0021 | TAF 830-130-17 | 8x0.30x130° | 6x3.5 | WWG 20175500 |
| *2 | VD(S) 36/24 A* | CSL-D 080 | 3 30 27 0010 | TAF 830-130 | 8x0.30x130° | 6x3.5 | 243.006 500.1416 |

Scandic Diesel Services Inc.
 6360 Notre Dame East
 Montreal, Quebec
 H1N 2E1, Canada

Phone +1 514 228 1299
 Telefax +1 514 256 8237
 24 hours +1 514 566 1553
 Email sales@scandiserv.com

www.scandiserv.com

Scandic Diesel Services © 2009 - 2011
 All rights reserved



SKL

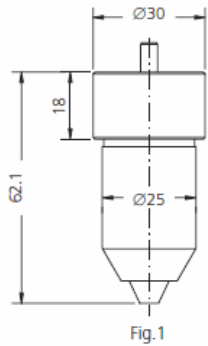


Fig.1

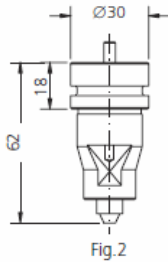


Fig.2

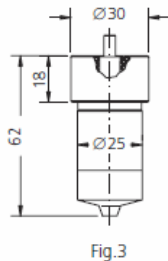


Fig.3

* = RAFFREDDATO - COOLED
 ° = CROMATO - CHROMATED

| NOZZLE ELEMENTS SUITABLE TO: | | | | | SKL | | |
|------------------------------|----------------------|-----------|--------------|--------------------|-------------|--------------|-------------|
| DRW. | ENGINE TYPE | SDS TYPE | SDS No. | ORIGINAL REFERENCE | SPRAY DATA | PRESS. STAGE | NOTES |
| 1 | NVD 48-A 2 U | CSL-D 120 | 3 05 27 0005 | U 1 A 550-140-6 | 5x0.50x140° | 8x4.8 | 242.001-200 |
| 1 | NVD 48-A 2 U | CSL-D 121 | 3 05 27 0006 | U 1 A 550-140 | 5x0.55x140° | 8x4.8 | |
| 1 | NVD 48-A 2 U | CSL-D 130 | 3 05 27 0015 | U 1 A 835-130 | 8x0.35x130° | 8x4.8 | 242.001-300 |
| *2 | NVD 48-A 2 U | CSL-D 150 | 3 19 27 0005 | U 1 AW 550-140-2 | 5x0.50x140° | 8x5.0 | 242.002-300 |
| *3 | NVDS 48-A 2 U (A 34) | CSL-D 300 | 3 33 27 0100 | U 1 AF 555-140-52 | 5x0.55x140° | 8x3.8 | |
| *3 | NVDS 48-A 2 U (A 34) | CSL-D 301 | 3 33 27 0101 | U 1 AF 550-140-52 | 5x0.50x140° | 8x3.8 | |
| | | | | | | | |
| | | | | | | | |
| | | | | | | | |

Scandic Diesel Services Inc.
 6360 Notre Dame East
 Montreal, Quebec
 H1N 2E1, Canada

Phone +1 514 228 1299
 Telefax +1 514 256 8237
 24 hours +1 514 566 1553
 Email sales@scandiserv.com

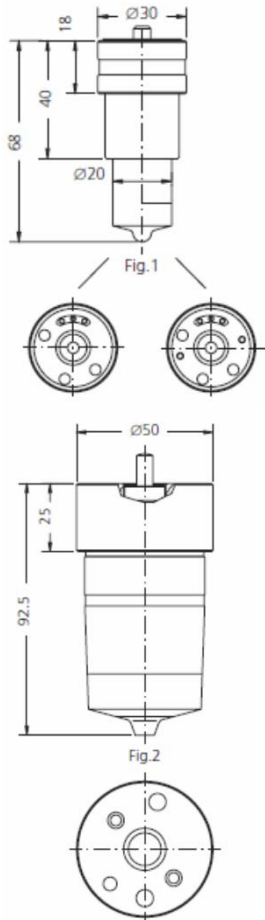
www.scandiserv.com

Scandic Diesel Services © 2009 - 2011
 All rights reserved



Scandic Diesel Services Inc.
"It's smooth sailing from here"

SKL



* = RAFFREDDATO - COOLED
 C = CROMATO - CHROMATED

| NOZZLE ELEMENTS SUITABLE TO: | | | | | SKL | | |
|------------------------------|----------------|-----------|--------------|--------------------|--------------|--------------|-------------|
| DRW. | ENGINE TYPE | SDS TYPE | SDS No. | ORIGINAL REFERENCE | SPRAY DATA | PRESS. STAGE | NOTES |
| 1 | VD 29/24 AL 2 | CSL-D 200 | 3 19 27 0010 | T 3 A 940-150-71 | 9x0.40x150° | 7x4.5 | WGG 2021400 |
| *1 | VDS 29/24 AL 2 | CSL-D 201 | 3 32 27 0011 | T 3 A 940-150-70 | 9x0.40x150° | 7x4.5 | WGG 3021300 |
| *2 | VDS 48/42 | CSL-D 900 | 3 36 27 0005 | WAF 1065-140-45 | 10x0.65x140° | 12x8 | |
| *2 | VDS 48/42 | CSL-D 910 | 3 36 27 0015 | WAF 1070-140-45 | 10x0.70x140° | 12x8 | |
| | | | | | | | |
| | | | | | | | |
| | | | | | | | |
| | | | | | | | |

Scandic Diesel Services Inc.
 6360 Notre Dame East
 Montreal, Quebec
 H1N 2E1, Canada

Phone +1 514 228 1299
 Telefax +1 514 256 8237
 24 hours +1 514 566 1553
 Email sales@scandiserv.com

www.scandiserv.com

Scandic Diesel Services © 2009 - 2011
 All rights reserved